



PENTAIR POOL

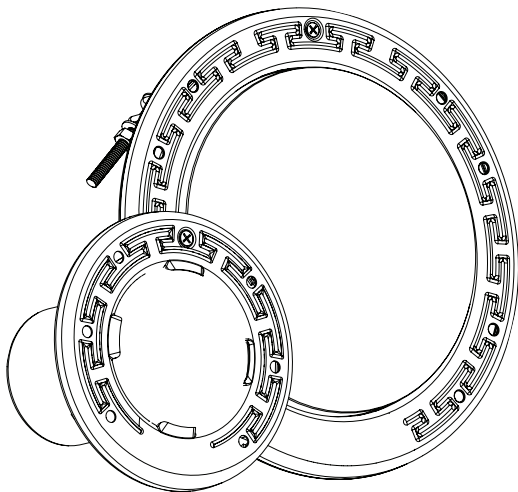
ENGLISH

ESPAÑOL

FRANÇAIS

INTELLIBRITE®

ARCHITECTURAL SERIES POOL/SPA LIGHT



INSTALLATION AND USER'S GUIDE

IMPORTANT SAFETY INSTRUCTIONS
READ AND FOLLOW ALL INSTRUCTIONS
SAVE THESE INSTRUCTIONS

Digital copies of all IntelliBrite manuals can be found at www.pentair.com, or by scanning the provided QR code.

Se pueden encontrar copias digitales de todos los manuales de IntelliBrite en www.pentair.com, o escaneando el código QR proporcionado.

Des copies numériques de tous les manuels IntelliBrite peuvent être trouvées sur www.pentair.com, ou en scannant le code QR fourni.



CUSTOMER SERVICE AND TECHNICAL SUPPORT

Hours: 8:00AM to 7:30PM EST (5:00AM - 4:30PM PST)

Call: (800) 831-7133

Fax: (800) 284-4151

Visit: www.pentair.com

TABLE OF CONTENTS

IMPORTANT SAFETY INSTRUCTIONS	ii-iii
INSTALLATION	1
Overview	1
Operating Lights Using a Standard Wall Switch	1
Using an External Transformer for Multiple Lights (12V Lights Only)	1
Electrical Installation Requirements (USA)	2
Electrical Installation Requirements (Canada)	3
Junction Box Installation Requirements for Canadian Installs ...	4
Light Assembly Installation	5-6
OPERATION	7
Manually Selecting a Light Show or Color	7
MAINTENANCE	8
Replacing the Light Assembly	8-9
Removing and Disassembling the Pool Light	10-11
Replacing the Fuse Assembly (12V Pool Lights Manufactured Before 2025)	12
Replacing the Fuse Assembly (12V Pool Lights Manufactured After 2025)	13
Replacing the LED Boards (Pool Lights Only)	14-15
Removing the Cosmetic Cover	15
Installing the Cosmetic Cover	15
Reassembling the Pool Light	16
Removing and Disassembling the Spa Light	17-18
Reassembling the Spa Light	19
REPLACEMENT PARTS	20
12V Pool Light Replacement Parts	20
120V Pool Light Replacement Parts	21
12V Spa Light Replacement Parts	22
120V Spa Light Replacement Parts	23

IMPORTANT SAFETY INSTRUCTIONS



IMPORTANT NOTICE - Attention Installer: This Installation and User's Guide ("Guide") contains important information about the installation, operation and safe use of this light. This Guide should be given to the owner and/or operator of this equipment.

WARNING Before installing this product, read and follow all warning notices and instructions in this Guide. Failure to follow warnings and instructions can result in severe injury, death, or property damage. Call (800) 831-7133 for additional free copies of these instructions. Please refer to www.pentair.com for more information related to this products.

Before Installing luminaires read the following:

WARNING Always install a new Wire Clamp assembly and Lens Gasket when reassembling the light assembly. Failure to do so may permit water to leak into the assembly which could cause; (a) an electrical hazard resulting in death or serious injury to pool/spa users, installer, or others due to electrical shock, or (b) breakage of the lamp or lens, which likewise could result in serious injury to pool/spa user, installers, or bystanders, or in damage to property.

DANGER SERIOUS BODILY INJURY OR DEATH CAN RESULT IF THIS LIGHT IS NOT INSTALLED AND USED CORRECTLY.

DANGER INSTALLERS, POOL/SPA OPERATORS AND POOL/SPA OWNERS MUST READ THESE WARNINGS AND ALL INSTRUCTIONS BEFORE USING THE LIGHT.

WARNING Most states and local codes regulate the construction, installation, and operation of public pools and spas, and the construction of residential pools and spas. It is important to comply with these codes, many of which directly regulate the installation and use of this product. Consult your local building and health codes for more information.

DANGER RISK OF ELECTRICAL SHOCK OR ELECTROCUTION: THIS LIGHT REQUIRES HIGH VOLTAGE WHICH CAN SHOCK, BURN, OR CAUSE DEATH.



BEFORE SERVICING THE LIGHT ALWAYS DISCONNECT POWER TO THE LIGHT AT THE CIRCUIT BREAKER. Failure to do so could result in death or serious injury to service person, pool/spa users or others due to electric shock.

This light must be installed by a licensed or certified electrician or a qualified pool professional in accordance with the current National Electrical Code (NEC) or the Canadian Electrical Code (CEC). All applicable local installation codes and ordinances must also be adhered to. Improper installation will create an electrical hazard which could result in death or serious injury to pool/spa users, installers or others due to electrical shock, and may also cause damage to property. Always disconnect the power to the light at the circuit breaker before servicing the light. Failure to do so could result in death or serious injury to serviceman, pool/spa users or others due to electrical shock.

CAUTION THIS LIGHT CANNOT BE USED ON A DIMMER CIRCUIT. USING A DIMMER SWITCH WILL RESULT IN PERMANENT DAMAGE TO THE LIGHT.

IMPORTANT SAFETY INSTRUCTIONS

⚠ WARNING NEVER replace lights by splicing wire underwater or behind niche. The external flexible cable or cord of this luminaire cannot be replaced. If the cord is damaged, the luminaire shall be destroyed.

⚠ WARNING RISK OF ELECTRIC SHOCK AND INJURY. ONLY USE INSTALLATION METHODS SPECIFIED IN THIS GUIDE.

⚠ WARNING All Niche and Light installations must conform with all codes. If local codes mandate a cord seal, use Pentair plastic niches (P/N 79206600 and P/N 79206700) and Cord Seal Kit (P/N 670044).

⚠ CAUTION The light fixture must only be used with Pentair fixture housings (niches). If the light fixture is installed into other niches, the installation will not carry UL approval and will void all warranties.

⚠ WARNING Salt is an inherently corrosive material. While the levels of salt required for proper operation of a salt chlorine generator are relatively low when compared to sea water and other salt solutions, placing any amount of salt in your pool increases the likelihood of corrosion or deterioration of pool equipment and surfaces used in and around your pool. Metal parts and certain natural and man-made surfaces are particularly susceptible when used in and around salt water pools. Pentair does not represent or otherwise guarantee that the proper use of a salt chlorine generator will prevent corrosion or deterioration of pool equipment and surfaces used in and around your pool. Consult a pool professional, who should be able to advise you on the proper material selection, installation techniques for those materials, and the proper use, care and maintenance of those materials for your specific pool type and location in order to minimize the corrosion and deterioration that is inherent in and around salt water pools.

Follow these guidelines when installing, replacing or repairing Pentair luminaires:

REPLACE ANY CRACKED PROTECTIVE SHIELD (CRACKED LENS) WITH NEW LENS AND GASKET.
FOR LIGHT OPERATION, ONLY USE A SAFETY ISOLATION TRANSFORMER.

⚠ CAUTION Luminaires not suitable for direct mounting on normally flammable surfaces. Suitable ONLY for mounting on non-combustible surfaces.

READ AND FOLLOW ALL INSTRUCTIONS



WET-NICHE UNDERWATER
 LUMINAIRE FOR
 SWIMMING POOLS

INSTALLATION

Overview

This manual describes how to install, operate and maintain IntelliBrite® Architectural Series Pool/Spa Lights.

White Light: White light for your pool/spa.

Color Light: Multiple colors and effects for your pool/spa. Choose from seven pre-programmed color light shows or five fixed colors to create dramatic lighting effects.

Operating Lights Using a Standard Wall Switch

Lights can be manually controlled using a standard wall-mount light switch. Multiple lights can be connected, through a junction box, to a single switch allowing all lights to be switched on and off together.

IntelliBrite lights can also be automatically controlled via Pentair automation systems and light controllers. Refer to the automation system or light controller manual for wiring instructions.

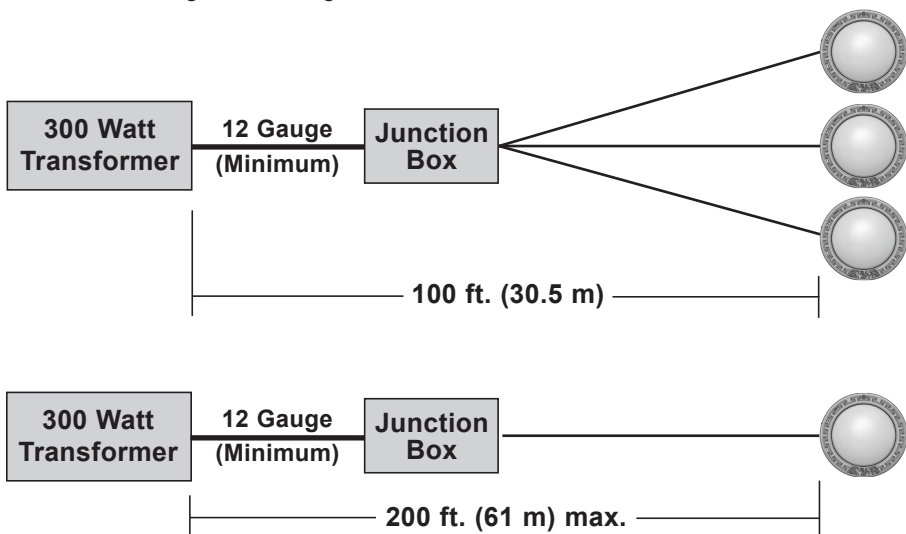
Using an External Transformer for Multiple Lights (12V Only)

When using multiple 12 VAC lights on a **300 Watt** transformer, no more than three lights should be used.

When operating multiple lights: Distance between the transformer and the lights should not exceed 100 feet (30.5 m).

When operating a single light: Distance between the transformer and light should not exceed 200 feet (61 m).

Note: For longer cable lengths, set the transformer to 14 VAC.

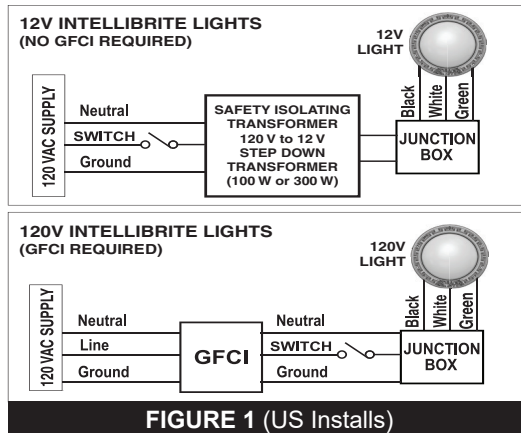


Electrical Installation Requirements (US)



WARNING Ensure that the pool/spa electrical system meets the requirements of the current National Electrical Code (NEC) and all applicable local codes and ordinances. A licensed or certified electrician must install the electrical system to meet or exceed those requirements before the light is installed. Some of the requirements of the National Electrical Code that must be met are listed below.

- **120V lights MUST BE connected to a Ground Fault Circuit Interrupter (GFCI), with an appropriately rated circuit breaker.** Refer to *FIGURE 1 (US Installs)* below.
- The low-voltage transformer, and/or junction box, shall be located at least 8-inches (20.3 cm) above the maximum water level and at least four 4-inches (10.2 cm) above the ground level or pool/spa deck, whichever provides the greater elevation. Refer to *FIGURE 4 (US Installs)* on page 5.
- The junction box shall be no less than 4 feet (1.2 m) from the inside wall of the pool/spa; unless separated from the pool/spa by a solid fence, wall or other permanent barrier. Refer to *FIGURE 4 (US Installs)* on page 5.
- Bond the light fixture to all other metallic items within 5 feet (1.5 m) of the pool/spa, using a #8 AWG bond wire. The bonding lug is located at the rear of the niche. Refer to *FIGURE 4 (US Installs)* on page 5.
- If non-metallic conduit is used, a #8 AWG bonding/grounding wire must be installed through the conduit from the Junction Box to the bonding/grounding lug inside the niche. Seal the bonding/grounding connection with a proper sealant to protect the connection from potential corrosion. Refer to *FIGURE 4 (US Installs)* on page 5.
- The niche must be installed so that the top edge of the light lens, when installed, is at least 18-inches (45.7 cm) below the maximum water level. Refer to *FIGURE 4 (US Installs)* on page 5.



Connect three wires to the corresponding circuit wires in the Junction Box.

- **Black** to Power
- **White** to Common
- **Green** to Ground

FOR LIGHT OPERATION, ONLY USE A SAFETY ISOLATION TRANSFORMER.

USE ONLY PENTAIR NICHEs TO INSURE PROPER BONDING AND GROUNDING CONNECTIONS.

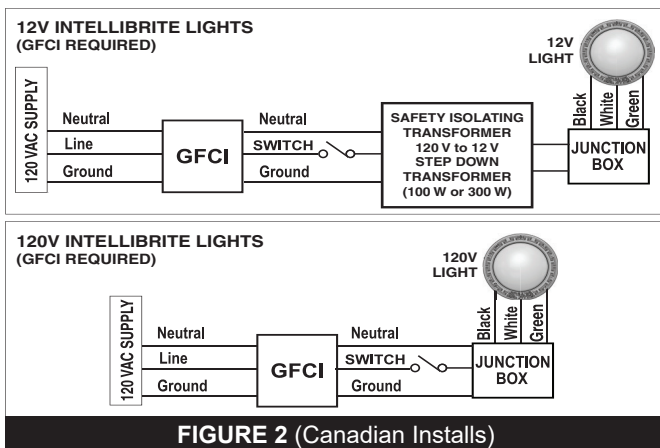
Electrical Installation Requirements (CANADA)



WARNING Ensure that the pool/spa electrical system meets the requirements of the current Canadian Electrical Code (CEC) and all applicable local codes and ordinances. A licensed or certified electrician must install the electrical system to meet or exceed those requirements before the light is installed. Some of the requirements of the Canadian Electrical Code that must be met are listed below.

REFER TO THE NEXT PAGE FOR JUNCTION BOX REQUIREMENTS FOR CANADIAN INSTALLS

- **Lights MUST BE connected to a Ground Fault Circuit Interrupter (GFCI), with an appropriately rated circuit breaker.** Refer to *FIGURE 2 (Canadian Installs)* below.
- The GFCI breaker or transformer must be located at least 3 meters (10 feet) from the edge of the pool/spa. Refer to *FIGURE 5 (Canadian Installs)* on page 5.
- Bond the light fixture to all other metallic items within 3 meters (9.8 feet) of the pool/spa, using a #6 AWG bond wire. The bonding lug is located at the rear of the niche. Refer to *FIGURE 5 (Canadian Installs)* on page 5.
- If non-metallic conduit is used, a #6 AWG bonding/grounding wire must be installed through the conduit from the Junction Box to the bonding/grounding lug inside the niche. Seal the bonding/grounding connection with a proper sealant to protect the connection from possible pool/spa water corrosion. Refer to *FIGURE 5 (Canadian Installs)* on page 5.
- The niche must be installed so that the top edge of the light lens, when installed, is at least 60 centimeters (23.6 inches) below the maximum water level. Refer to *FIGURE 5 (Canadian Installs)* on page 5.



Connect three wires to the corresponding circuit wires in the Junction Box.

- **Black** to Power
- **White** to Common
- **Green** to Ground

FOR LIGHT OPERATION, ONLY USE A SAFETY ISOLATION TRANSFORMER.

USE ONLY PENTAIR NICHEs TO INSURE PROPER BONDING AND GROUNDING CONNECTIONS.

Junction Box Installation Requirements for Canadian Installs

Junction/Deck boxes must be installed:

- (a) above the maximum water level of the pool/spa
- (b) so that the top of the box is located at or above the level of the pool/spa deck
- (c) in a manner and/or location where the box will not be an obstacle
- (d) in such a manner that any water on the deck will drain away from the box
- (e) sealed to the conduit to prevent water entering the box

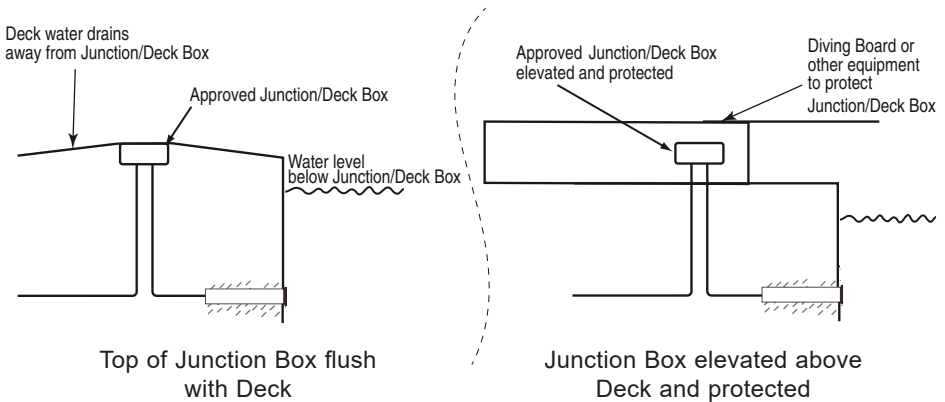
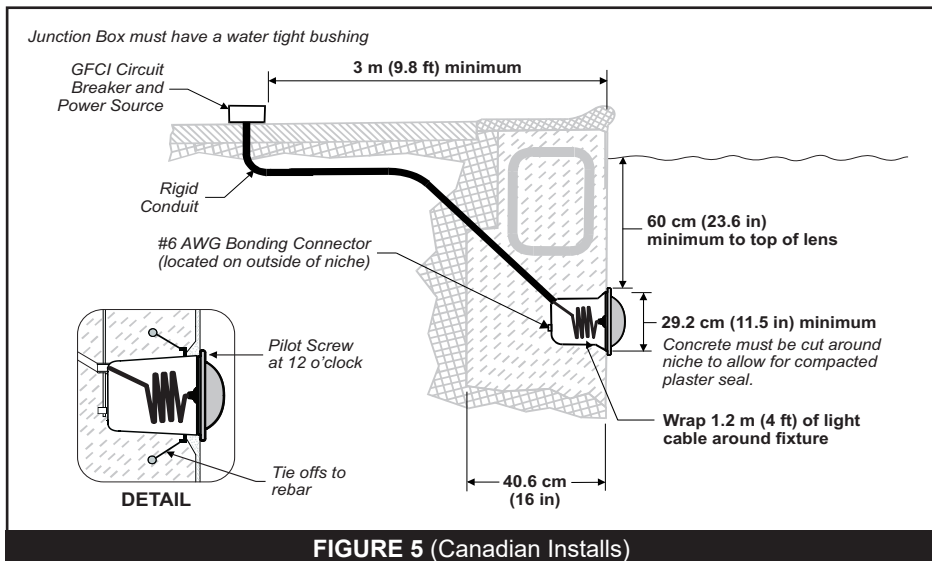
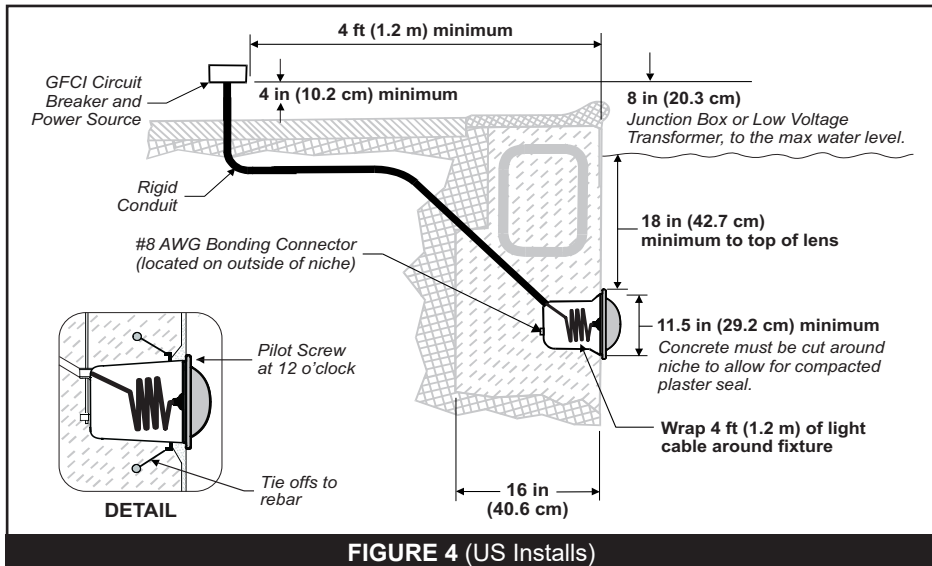


FIGURE 3 (Canadian Installs)

Light Assembly Installation

1. **Switch off main electrical switch or circuit breaker, and the switch which operates the light.**
2. Route light cable through conduit to Junction Box, leaving at least 4 feet (1.2 m) of cord coiled inside of the niche. This allows the light to be serviced on the deck while the pool/spa is filled with water.
3. Cut the cable at the Junction Box, leaving at least 6-inches (15.3 cm) of cord to make connections.



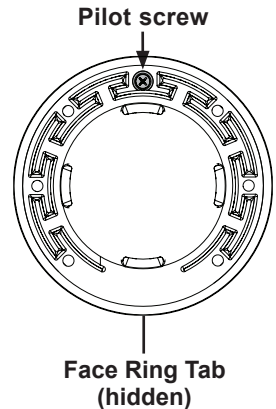
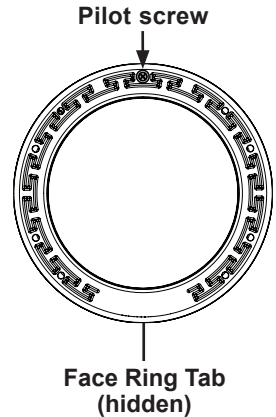
Light Assembly Installation (cont.)

4. Carefully strip 6-inches (15.3 cm) of the outer cord jacket to expose the three insulated conductors. Be careful not to damage the insulation on the three inner conductors).
5. Carefully strip a 1/2-inch (1.3 cm) of insulation off the three conductors. Be careful not to damage the copper conductor.
6. Connect all three conductors to the corresponding circuit wires in the Junction Box
 - **Black** to Power
 - **White** to Common
 - **Green** to Ground
7. Secure the Junction Box cover in place.
8. Insert the Face Ring Tab into the slot in the bottom of the niche.
9. Tighten the pilot screw.



WARNING Only use the **provided pilot screw**. This screw mounts and electrically grounds the housing to the face ring and niche. Failure to use the provided screw could create an electrical hazard which could result in death or serious injury to pool/spa users, installers or others due to electrical shock.

10. Fill the pool/spa until the light is completely submerged in water before operating the light.
11. **Check for proper light operation:** To check for proper operation, switch on the main switch or circuit breaker, and the switch that operates the light itself. The light should illuminate when power is applied.



OPERATION

Manually Selecting a Light Show or Color

Color light can be manually controlled via a standard light switch. When the color light is switched on it will momentarily illuminate white and then transition to the previously selected color.

To manually select a color show (1-7) or fixed color (8-12), turn the switch off and on a specific number of times.

Each number (1-12) shown below corresponds to the number of times the switch must be turned off/on to activate a specific light show or fixed color.

Example: To select California Sunset Mode, turn the light off/on six times. During this process, the light will not illuminate.

Number of times to cycle power (1-5)	1	SAM Mode: Cycles through white, magenta, blue and green.	Number of times to cycle power (6-14)	7	Royal Mode: Richer, deeper color tones.
	2	Party Mode: Rapid color changes, building energy and excitement.		8	Blue: Fixed color.
	3	Romance Mode: Slow color transitions creating a calming effect.		9	Green: Fixed color.
	4	Caribbean Mode: Cycles between a variety of blues and greens.		10	Red: Fixed color.
	5	American Mode: Cycles through red, white and blue.		11	White: Fixed color.
	6	California Sunset Mode: Cycles through orange, red and magenta.		12	Magenta: Fixed color.
				13	Hold: Save the current light show or fixed color.
				14	Recall: Activate the last saved light show or fixed color.

Saving a Color Show or Fixed Color

When power is switched off to color lights, the last color show or fixed color will be saved. The next time the light is powered on, the saved color show or fixed color will occur.

Example: While in “Party Mode” switch the light off. Wait more than 10 seconds and switch the light back on to resume “Party Mode.”



WARNING

During the off/on switching process, before the selected color is displayed, no illumination will occur for a brief time. This is normal during the switching process.

During this period precautions should be taken to avoid unforeseen accidents. Failure to observe this warning may result in serious injury or death.

Note: Pentair color lights can be controlled by Pentair Automation Systems and Light Controllers. Contact your pool dealer for more information.

MAINTENANCE

Replacing the Light Assembly

DANGER



RISK OF ELECTRICAL SHOCK OR ELECTROCUTION!

This light must be installed by a licensed or certified electrician or a qualified pool professional in accordance with the National Electrical Code (NEC) and all applicable local codes and ordinances. Improper installation will create an electrical hazard which could result in death or serious injury to pool/spa users, installers or others due to electrical shock, and may also cause damage to property.

Always disconnect power to the light at the circuit breaker before servicing. Failure to do so could result in death or serious injury to service person, pool/spa users or others due to electrical shock.

WARNING

Failure to bring the pool/spa electrical system up to code requirements before installing the light will create an electrical hazard which could result in death or serious injury to pool/spa users, installers, or others due to electrical shock, and may also cause damage to property.

1. Remove the brass or stainless steel pilot screw from top of face ring.
2. Remove the light assembly from the niche and place it on the deck.
3. Cut the cord about 12 inches (30.5 cm) from the back of the light assembly.
4. Remove Junction Box cover, disconnect the light fixture wires, and pull the cord through the conduit.

Note: Before pulling the cord, tape the new cord to the existing cord. This might make it easier to feed the new cord through the conduit.
5. Feed the new cord through the conduit from the niche to the Junction Box.

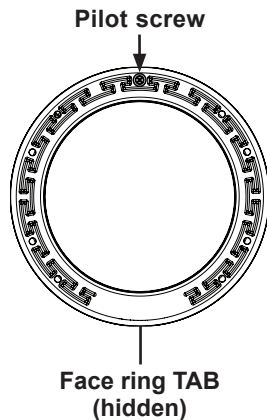
Note: Depending on the length of the conduit, special tools may be required to pull the cord through the conduit.
6. Leave at least 4 feet (1.2 m) of cord coiled inside of the niche. This allows the light to be serviced on the deck while the pool/spa is filled with water.
7. Cut the cord at the Junction Box, leaving at least 6-inches (1.3 cm) of cord to make the necessary connections.
8. Carefully strip 6 inches (15.2 cm) of the outer jacket from the cord to expose the three insulated conductors. Be careful not to damage the insulation on the three inner conductors.
9. Carefully strip a 1/2-inch (1.3 cm) of insulation off the three conductors. Be careful not to damage the copper conductor.
10. Connect the three light wires to the corresponding circuit wires in the Junction Box.
 - **Black** to Power
 - **White** to Common
 - **Green** to Ground

Replacing the Light Assembly (cont.)

11. Remove the brass or stainless steel pilot screw from the top of face ring.

⚠ WARNING Only use the provided pilot screw. This screw mounts electrically ground the housing to the face ring and niche. Failure to use the provided screw could create an electrical hazard which could result in death or serious injury to pool users, installers or others due to electrical shock.

12. Remove the light assembly from the niche and place it on the deck.
13. Cut the cord about 12 inches (30.5 cm) from the back of the light assembly.
14. Remove Junction Box cover, disconnect the light fixture wires, and pull the cord through the conduit.



Removing and Disassembling the Pool Light

The following removal and disassembly instructions only apply to IntelliBrite® Architectural Series Pool Lights.

For instructions on removing and disassembling a spa light, refer to *Removing and Disassembling the Spa Light*, page 17.

DANGER

RISK OF ELECTRICAL SHOCK OR ELECTROCUTION

Always disconnect power to the light at the circuit breaker before servicing. Failure to do so could result in death or serious injury to installer, service person, pool/spa users, or others due to electrical shock.



WARNING

Always install a new Gasket and Wire Clamp when reassembling the light. Failure to replace these components may allow water to leak into the light

which could cause:

- (a) an electrical hazard resulting in death or serious injury to pool/spa users, installers, or others due to electrical shock, or
- (b) damage to the lens, which likewise could result in serious injury to pool/spa users, installers, or bystanders, or in damage to property.

1. **Disconnect all power to the light at the circuit breaker and turn OFF the switch that operates the light itself.**

Note: DO NOT service the light while in the pool.

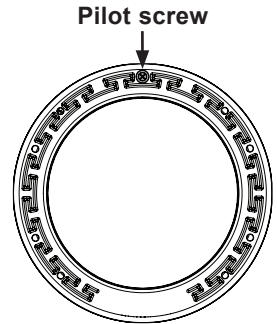
2. Before disassembling the light, ensure that you have a new Gasket and Wire Clamp ready for reassembly.
3. Using a #2 Phillips screwdriver, loosen the Pilot Screw found at the top of the Face Ring.

Note: DO NOT remove the Pilot Screw from the Face Ring.

4. Remove the light assembly from the niche and place the assembly on the pool deck.

Note: It is not necessary to drain the pool when removing the light.

5. Place a clean cloth on the ground.
6. Turn the light over and rest the Lens on the clean cloth.



- Continue to next page -

Removing and Disassembling the Pool Light (cont.)

7. Using a 7/16" open-end or adjustable wrench and a #2 Phillips screwdriver, loosen the bolt tensioning the Wire Clamp.

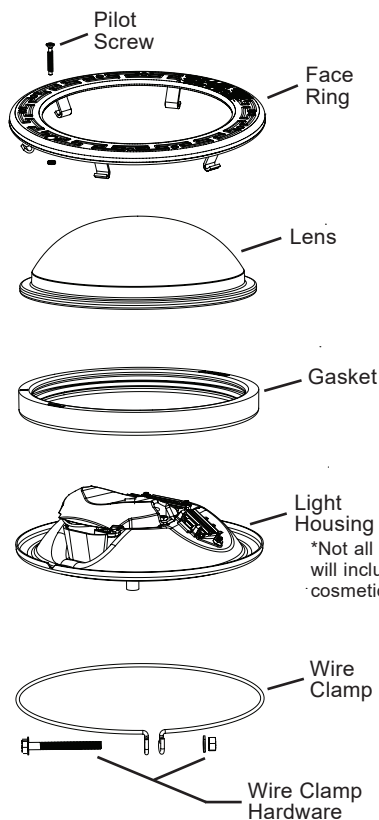
Note: Carefully remove the Clamp Hardware. The wire clamp will release a small amount of tension when the nut reaches the end of bolt.

8. Discard the Wire Clamp and Wire Clamp Hardware.
9. Lift the Light Housing away from the Lens and Face Ring. Place the Light Housing aside.
10. Lift the Lens away from the Face Ring and set it aside.
11. Remove the orange Gasket from the Lens.
12. Discard the Gasket.

Note: A NEW LENS GASKET AND WIRE CLAMP MUST BE USED EACH TIME THE LIGHT IS REASSEMBLED.

Refer to *REPLACEMENT PARTS* on page 20 for part numbers.

13. Continue to the necessary section:
- *Replacing the Fuse Assembly (12V Pool Lights Manufactured Before 2025), page 12*
 - *Replacing the Fuse Assembly (12V Pool Lights Manufactured After 2025), page 13*
 - *Replacing the LED Boards (Pool Lights Only), page 14*
 - *Installing the Cosmetic Cover, page 15*
 - *Reassembling the Pool Light, page 16*



WARNING TO MAINTAIN UL CERTIFICATION: When installing the Royal Blue Conversion Kit, be sure to install the new data label supplied in the kit. Also, be sure to indicate the correct supply voltage on the light data label.

Replacing the Fuse Assembly (12V Pool Lights Manufactured Before 2025)

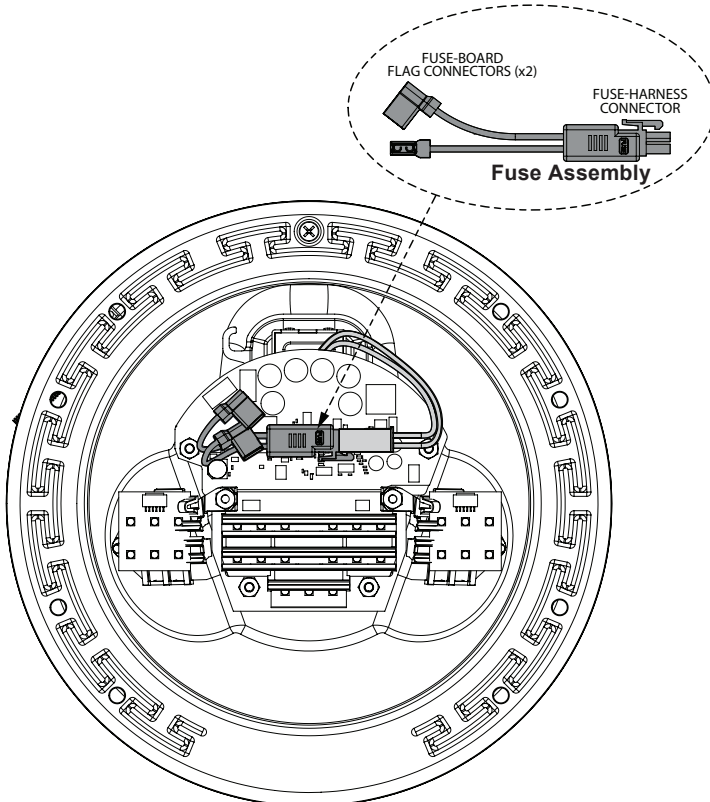
Only 12V pool lights contain a replaceable fuse assembly. Spa lights and 120V pool lights do not contain a fuse assembly.

Refer to *12V Pool Light Replacement Parts*, page 20 for a list of replacement parts.

1. If the Cosmetic Cover is installed, it must be removed. Refer to *Removing the Cosmetic Cover* on page 15.
2. Carefully disconnect both Fuse-Board Flag Connectors from the light Control Board.
3. Press down the release lever on the Fuse-Harness Connector and gently separate the fuse assembly from the fuse harness.
4. Plug the new Fuse-Harness Connector into the light's fuse harness until they lock together.
5. Carefully connect both Fuse-Board Flag Connectors onto the Control Board terminals.

Note: DO NOT press down too hard on the flag connectors. This may damage the board and/or board terminals.

6. Reassemble the light according to the instructions given in *Reassembling the Pool Light*, page 16.



Replacing the Fuse Assembly (12V Pool Lights Manufactured After 2025)

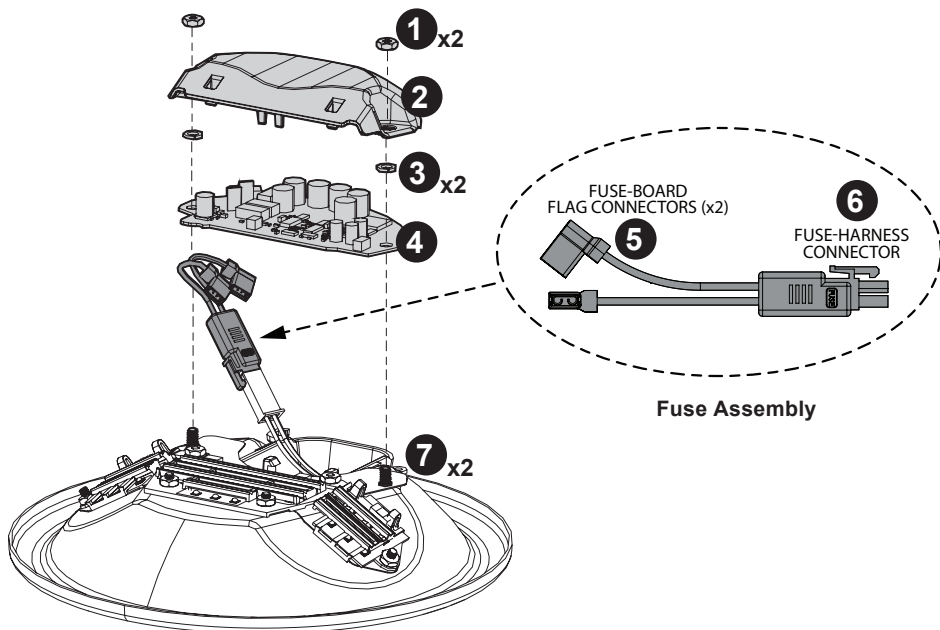
1. Remove two *Retaining Nuts* (1) securing the *Cosmetic Cover* (2) to the *Control Board* (4).
2. Remove the *Split Washer* (3) from each *Board Mount* (7).
3. Carefully disconnect both *Fuse-Board Flag Connectors* (5) from the *Control Board* (4).
4. Place the *Control Board* (4) aside.
5. Press down the release lever on the *Fuse-Harness Connector* (6) and gently separate the fuse assembly from the fuse harness.
6. Plug the new *Fuse-Harness Connector* (6) into the light's fuse harness until they lock together.
7. Carefully connect both *Fuse-Board Flag Connectors* (5) onto the *Control Board* (4) terminals.

Note: DO NOT press down too hard on the flag connectors. This may damage the board and/or board terminals.

8. Place the fuse into the epoxy well and the *Control Board* (4) over the appropriate *Control Board Mounts* (7).
9. Place the two *Split Washers* (3) and the *Cosmetic Cover* (2) onto the *Control Board Mounts* (7).

Note: Ensure wiring is not pinched between board and light assembly before installing *Retaining Nuts* (1).

10. Reinstall the two *Retaining Nuts* (1).
11. Reassemble the light according to instructions given in *Reassembling the Pool Light*, page 16.



Replacing the LED Boards (Pool Lights Only)

Only pool lights contain replaceable LED boards. Spa light LED boards can NOT be replaced.

Refer to *12V Pool Light Replacement Parts*, page 20 for a list of replacement parts.



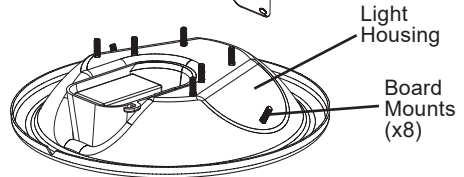
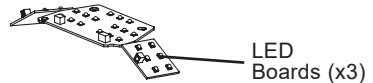
When replacing the LED boards, always use the same type and wattage.

Operating the light with an incorrect LED board will damage the light and may cause an electrical hazard resulting in death or serious injury to pool/spa users, installers, or others due to electrical shock, and may also cause damage to property.

REMOVING OLD LED BOARDS:

- Using a 5/16-inch socket or nut driver, carefully remove the eight Retaining Nuts securing the LED Boards to the Light Housing.

Note: If Cosmetic Cover is installed, it must be removed. Refer to *Removing the Cosmetic Cover* on page 15.
- Locate the two wires running from the Light Housing to the middle LED Board.
- Carefully disconnect both flag connectors from the middle LED board.
- Remove the plastic LED Refractor from the middle LED Board.
- Remove all three LED Boards from the Light Housing.
- Remove the Thermal Pad from the Light Housing.



Replacing the LED Boards (Pool Lights Only) (cont.)

INSTALLING NEW LED BOARDS:

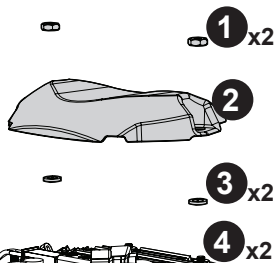
7. Place the new Thermal Pad over the Board Mounts.
8. Ensure an LED Refractor is installed on both new right and left side LED Boards.
9. Place the larger middle LED Board over the appropriate four Board Mounts.

Note: Ensure the wires running from the Light Housing are not pinched under the middle LED Board.
10. Place the middle LED Refractor onto the new middle LED Board.
11. Place both the right and left side LED Boards over the appropriate Board Mounts.
12. Using a 5/16-inch nut driver, reinstall the eight Retaining Nuts.

Note: Overtightening the Retaining Nuts may damage the LED refractors and/or boards.
13. If necessary, carefully reconnect both fuse assembly wires to the middle LED Board.
14. To reassemble the light, refer to *Reassembling the Pool Light* on the next page.

Removing the Cosmetic Cover

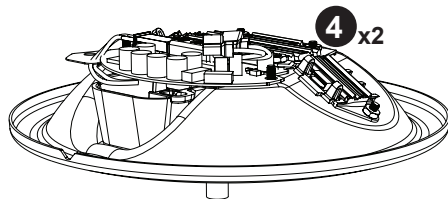
1. Remove two *Retaining Nuts* (1) securing the *Cosmetic Cover* (2) to the Control Board.
2. Remove the *Split Washer* (3) from each *Board Mount* (4).



Installing the Cosmetic Cover

1. Place the two *Split Washers* (3) and the *Cosmetic Cover* (2) onto the *Control Board Mounts* (4).

Note: Ensure wiring is not pinched between board and light assembly before installing *Retaining Nuts* (1).
2. Reinstall the two *Retaining Nuts* (1).



Reassembling the Pool Light

The following removal and disassembly instructions only apply to IntelliBrite® Architectural Series Pool Lights. For instructions on removing and disassembling a spa light, refer to *Reassembling the Spa Light, page 19*.

WARNING

Always install a new Gasket and Wire Clamp when reassembling the light. Failure to replace these components may allow water to leak into the light which could cause:

- an electrical hazard resulting in death or serious injury to pool/spa users, installers, or others due to electrical shock, or
- damage to the lens, which likewise could result in serious injury to pool/spa users, installers, or bystanders, or in damage to property.

- Ensure the black Lens O-ring is seated inside of the orange Lens Gasket.
- Stretch the Gasket around the outer edge of the Lens, ensuring the side marked "TOP" is positioned at the intended top side of the light.

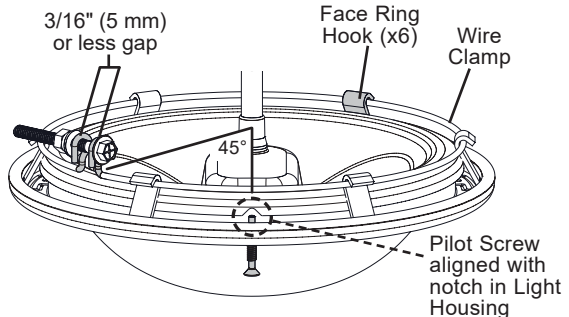
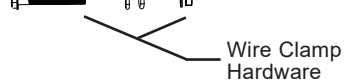
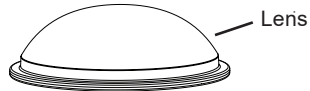
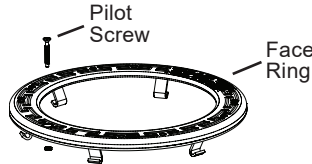
Note: Ensure the Lens Gasket is installed evenly around the Lens.

- With the Light Housing resting on its base, place the Lens/Gasket onto the light housing.
- Place the Face Ring on top of the Lens/Gasket/Housing.
- Rotate the Face Ring until the Pilot Screw is aligned with the notch in the inner edge of the Light Housing. Refer to the image below.

- With the hooked ends of the Wire Clamp facing away from the Lens/Housing, place the clamp into all six Face Ring Hooks on the back of the Face Ring.

Note: Ensure the clamp is held by all six hooks. This ensures a proper seal between the Gasket and Face Ring.

- Ensure both ends of the Wire Clamp are positioned at a 45-degree angle to the pilot screw.
- Place the Clamp Bolt through both ends of the Wire Clamp.
- Thread the washer and nut onto the bolt.
- Using a 7/16" open-end or adjustable wrench and a #3 Phillips screwdriver, tighten the clamp bolt and nut until the ends of the clamp are within 3/16-inch (5 mm) of each other.
- Refer to *Light Assembly Installation, page 5* for instructions on reinstalling the light.



Removing and Disassembling the Spa Light

The following removal and disassembly instructions only apply to IntelliBrite® Architectural Series Spa Lights.

For instructions on removing and disassembling a pool light, refer to *Removing and Disassembling the Pool Light*, page 10.

⚠ DANGER



RISK OF ELECTRICAL SHOCK OR ELECTROCUTION

Always disconnect power to the light at the circuit breaker before servicing. Failure to do so could result in death or serious injury to installer, service person, pool/spa users, or others due to electrical shock.

⚠ WARNING

Always install a new Gasket and Wire Clamp when reassembling the light. Failure to replace these components may allow water to leak into the light

which could cause:

- (a) an electrical hazard resulting in death or serious injury to pool/spa users, installers, or others due to electrical shock, or
- (b) damage to the lens, which likewise could result in serious injury to pool/spa users, installers, or bystanders, or in damage to property.

1. **Disconnect all power to the light at the circuit breaker and turn OFF the switch that operates the light itself.**

Note: DO NOT service the light while in the spa.

2. Before disassembling the light ensure that you have a new Gasket and Wire Clamp ready for reassembly.
3. Using a #2 Phillips screwdriver, loosen the Pilot Screw found at the top of the Face Ring.

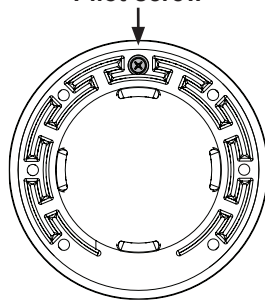
Note: DO NOT remove the Pilot Screw from the Face Ring.

4. Remove the light assembly from the niche and place the assembly on the spa deck.

Note: It is not necessary to drain the spa when removing the light.

5. Place a clean cloth on the ground.
6. Turn the light over and rest the Lens on the clean cloth.

Pilot screw



- Continue to next page -

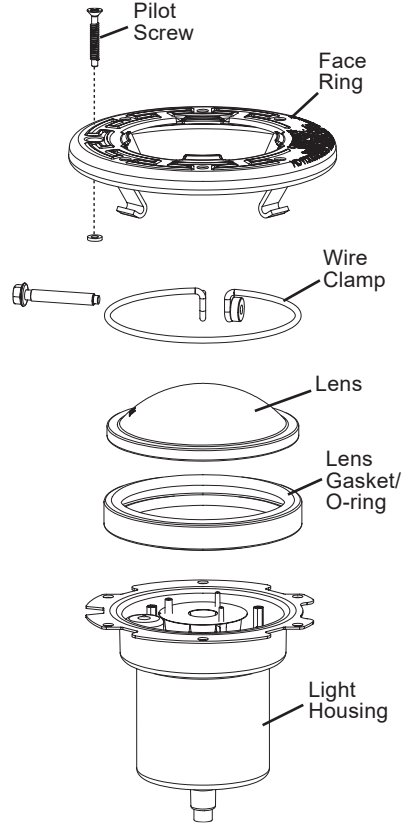
Removing and Disassembling the Spa Light (cont.)

7. Using a 7/16" open-end or adjustable wrench and a #3 Phillips screwdriver, loosen the bolt tensioning the Wire Clamp.
- Note:** Carefully remove the Clamp Hardware. The wire clamp will release a small amount of tension when the nut reaches the end of bolt.
8. Discard the Wire Clamp and Wire Clamp Hardware.
9. Lift the Light Housing away from the Lens and Face Ring. Place the Light Housing aside.
10. Lift the Lens away from the Face Ring and set it aside.
11. Remove the Gasket from the Lens.
12. Discard the Gasket.

Note: A NEW LENS GASKET AND WIRE CLAMP MUST BE USED EACH TIME THE LIGHT IS REASSEMBLED.

Refer to *12V Spa Light Replacement Parts on page 22* or *120V Spa Light Replacement Parts on page 23* for part numbers.

13. To reassemble the light, continue to *Reassembling the Spa Light* on the next page.



Reassembling the Spa Light



Always install a new Gasket and Wire Clamp when reassembling the light. Failure to replace these components may allow water to leak into the light

which could cause:

- an electrical hazard resulting in death or serious injury to pool/spa users, installers, or others due to electrical shock, or
- damage to the lens, which likewise could result in serious injury to pool/spa users, installers, or bystanders, or in damage to property.

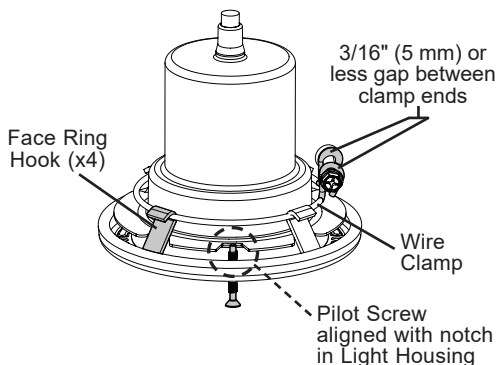
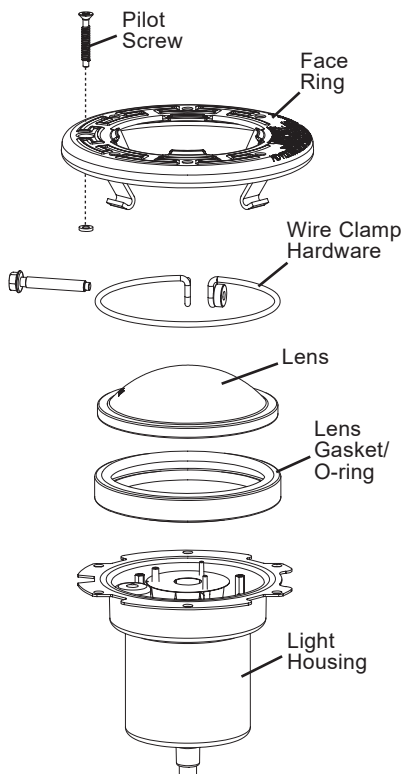
- Ensure the black Lens O-ring is seated inside of the orange Lens Gasket.
- Stretch the Gasket around the outer edge of the Lens, ensuring the side marked "TOP" is positioned at the intended top side of the light.

Note: Ensure the Lens Gasket is installed evenly around the Lens.

- Place the Lens/Gasket onto the Light Housing.
- Place the Face Ring on top of the Lens/Gasket/Housing.
- Rotate the Face Ring until the Pilot Screw is aligned with the notch in the inner edge of the Light Housing.
- With the hooked ends of the Wire Clamp facing away from the Lens/Housing, place the clamp into all four Face Ring Hooks on the back of the Face Ring.

Note: Ensure the clamp is held by all four hooks. This ensures a proper seal between the Gasket and Face Ring.

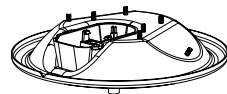
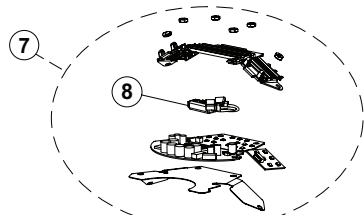
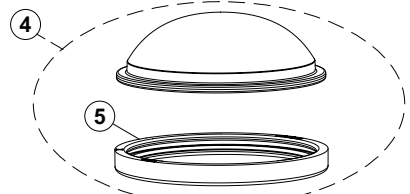
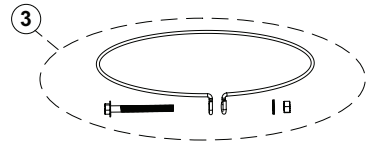
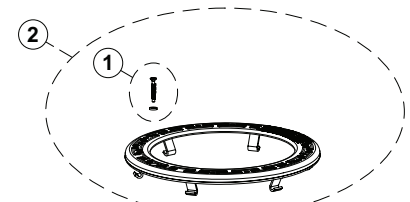
- Place the Clamp Bolt through both ends of the Wire Clamp.
- Thread the washer and nut onto the bolt.
- Using a 7/16" open-end or adjustable wrench and a #3 Phillips screwdriver, tighten the clamp bolt and nut until the ends of the clamp are within 3/16-inch (5 mm) of each other.
- Refer to *Light Assembly Installation*, page 5 for instructions on reinstalling the light.



REPLACEMENT PARTS

12V Pool Light Replacement Parts

ITEM	P/N	DESCRIPTION
1	79104800z	Pilot Screw, Brass
	619355z	Pilot Screw, Stainless
2	79110600	Face Ring Kit
3	79111000	Wire Clamp Kit
4	602168	Lens Kit
5	620400z	Gasket
6	619159z	Cosmetic Cover Kit
7	618091z	LED Board Kit, 300W White
	618090z	LED Board Kit, 500W White
	618092z	LED Board Kit, Color
	618137z	LED Board Kit, RGB/ Royal Blue
	618135z	LED Board Kit, Warm White
	618136z	LED Board Kit, Turtle
8	618085	Fuse Assembly
-	See Below	Light Assembly



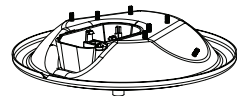
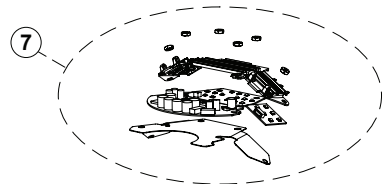
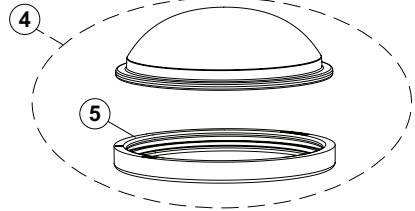
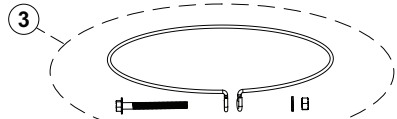
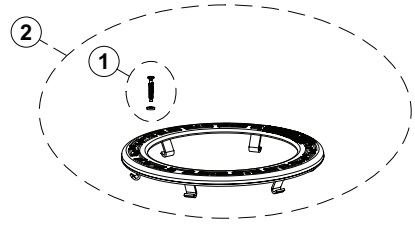
WHITE LIGHT ASSEMBLY		
MODEL	WATTS	CORD LENGTH
602143	300W	30 ft. (9.2 m)
602144		50 ft. (15.2 m)
602145		100 ft. (30.5 m)
602146		150 ft. (45.7 m)
602139	500W	30 ft. (9.2 m)
602140		50 ft. (15.2 m)
602141		100 ft. (30.5 m)
602142		150 ft. (45.7 m)

WARM WHITE / TURTLE LIGHT ASSEMBLY	
MODEL	CORD LENGTH
602147	30 ft. (9.2 m)
602148	50 ft. (15.2 m)
602149	100 ft. (30.5 m)
602150	150 ft. (45.7 m)
602236	150 ft. (45.7 m)

COLOR LIGHT ASSEMBLY	
MODEL	CORD LENGTH
602151	30 ft. (9.2 m)
602152	50 ft. (15.2 m)
602153	100 ft. (30.5 m)
602154	150 ft. (45.7 m)

120V Pool Light Replacement Parts

ITEM	P/N	DESCRIPTION
1	79104800z	Pilot Screw, Brass
	619355z	Pilot Screw, Stainless
2	79110600	Face Ring Kit
3	79111000	Wire Clamp Kit
4	602168	Lens Kit
5	620400z	Gasket
6	619159z	Cosmetic Cover Kit
7	618091z	LED Board Kit, 300W White
	618090z	LED Board Kit, 500W White
	618092z	LED Board Kit, Color
	618137z	LED Board Kit, RGB/Royal Blue
	618135z	LED Board Kit, Warm White
618136z	LED Board Kit, Turtle	
-	See Below	Light Assembly



WHITE LIGHT ASSEMBLY		
MODEL	WATTS	CORD LENGTH
602181	300W	30 ft. (9.2 m)
602182		50 ft. (15.2 m)
602183		100 ft. (30.5 m)
602184		150 ft. (45.7 m)
602207		250 ft. (76.2 m)
602177	500W	30 ft. (9.2 m)
602178		50 ft. (15.2 m)
602179		100 ft. (30.5 m)
602180		150 ft. (45.7 m)
602208		250 ft. (76.2 m)

WARM WHITE / TURTLE LIGHT ASSEMBLY	
MODEL	CORD LENGTH
602189	30 ft. (9.2 m)
602190	50 ft. (15.2 m)
602191	100 ft. (30.5 m)
602192	150 ft. (45.7 m)
602221	250 ft. (76.2 m)
602223	150 ft. (45.7 m)

COLOR LIGHT ASSEMBLY	
MODEL	CORD LENGTH
602185	30 ft. (9.2 m)
602186	50 ft. (15.2 m)
602187	100 ft. (30.5 m)
602188	150 ft. (45.7 m)
602206	250 ft. (76.2 m)

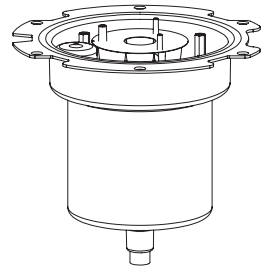
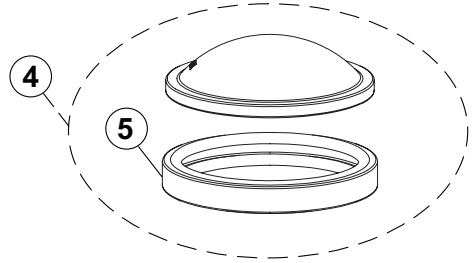
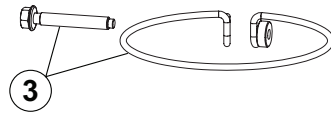
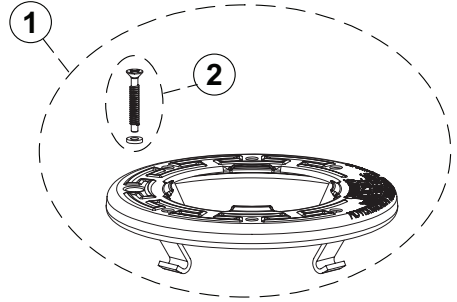
12V Spa Light Replacement Parts

ITEM	P/N	DESCRIPTION
1	79111600	Face Ring Kit
2	79104800z	Pilot Screw, Brass
	619355z	Pilot Screw, Stainless
3	79210400	Wire Clamp Kit
4	602176	Lens Kit
5	79108600z	Gasket Kit
-	See Below	Light Assembly

WHITE LIGHT ASSEMBLY	
MODEL	CORD LENGTH
618015	30 ft. (9.2 m)
618016	50 ft. (15.2 m)
618017	100 ft. (30.5 m)
618018	150 ft. (45.7 m)

WARM WHITE / TURTLE LIGHT ASSEMBLY	
MODEL	CORD LENGTH
602238	30 ft. (9.2 m)
602239	50 ft. (15.2 m)
602240	100 ft. (30.5 m)
602241	150 ft. (45.7 m)
602242	150 ft. (45.7 m)

COLOR LIGHT ASSEMBLY	
MODEL	CORD LENGTH
602197	30 ft. (9.2 m)
602198	50 ft. (15.2 m)
602199	100 ft. (30.5 m)
602200	150 ft. (45.7 m)
602248 (Royal Blue)	150 ft. (45.7 m)



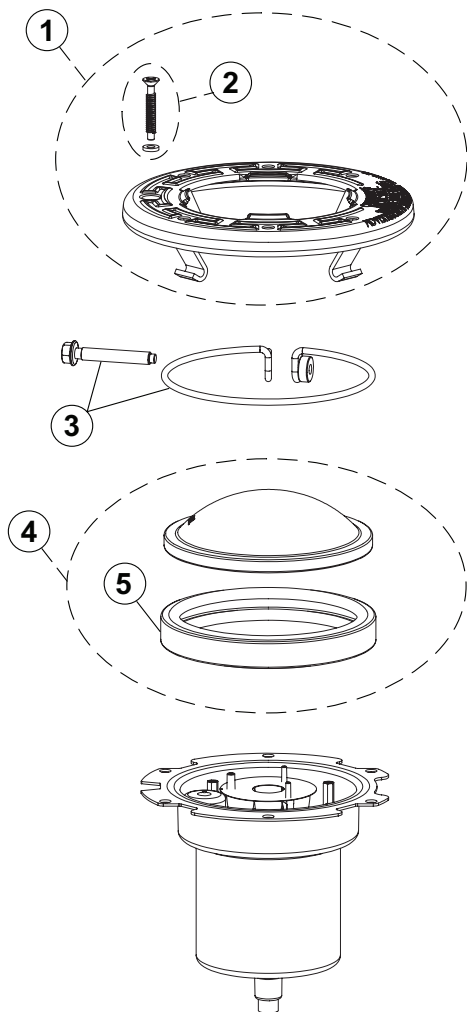
120V Spa Light Replacement Parts

ITEM	P/N	DESCRIPTION
1	79111600	Face Ring Kit
2	79104800z	Pilot Screw, Brass
	619355z	Pilot Screw, Stainless
3	79210400	Wire Clamp Kit
4	602176	Lens Kit
5	79108600z	Gasket Kit
-	See Below	Light Assembly

WHITE LIGHT ASSEMBLY	
MODEL	CORD LENGTH
602193	30 ft. (9.2 m)
602194	50 ft. (15.2 m)
602195	100 ft. (30.5 m)
602196	150 ft. (45.7 m)
602209	250 ft. (76.2 m)

WARM WHITE / TURTLE LIGHT ASSEMBLY	
MODEL	CORD LENGTH
602225	30 ft. (9.2 m)
602226	50 ft. (15.2 m)
602227	100 ft. (30.5 m)
602228	150 ft. (45.7 m)
602229	250 ft. (76.2 m)
602231	150 ft. (45.7 m)

COLOR LIGHT ASSEMBLY	
MODEL	CORD LENGTH
602201	30 ft. (9.2 m)
602202	50 ft. (15.2 m)
602203	100 ft. (30.5 m)
602204	150 ft. (45.7 m)
602205	250 ft. (76.2 m)
602249 (Royal Blue)	150 ft. (45.7 m)





1620 HAWKINS AVE., SANFORD, NC 27330 • (919) 566-8000
10951 WEST LOS ANGELES AVE., MOORPARK, CA 93021 • (805) 553-5000

All indicated Pentair trademarks and logos are property of Pentair. Third party registered and unregistered trademarks and logos are the property of their respective owners.

© 2024 Pentair. All rights reserved. WWW.PENTAIR.COM



P/N 618070 REV. C 11/14/24