

# Pump SB SERIES SR SERIES

## PROVEN LONG-TERM DURABILITY

For residential pool & spa



High Flow  
Rate

High  
Efficiency

Ring lock  
Lid Design

1. 2 inch suction and discharge ports
2. Ring-lock lid eliminates leaks and maximizes suction efficiency
3. Asynchronous, two-poles motor
4. Class insulation: 130(B)
5. IPX5 Waterproof standard
6. Built-in thermal protection
7. Overload protection
8. Available in 50Hz or 60Hz for 220V/380V
9. Special designed unions compatible for both Imperial and Metric standards
10. Testing Pressure (50PSI / 3.5Bar)
11. 316 stainless steel shaft
12. 316 stainless steel mechanical seal

 **Emaux**  
water technology



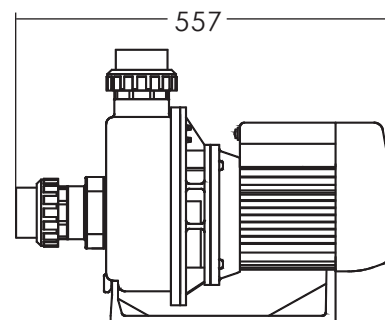
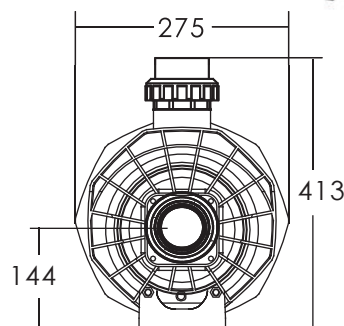
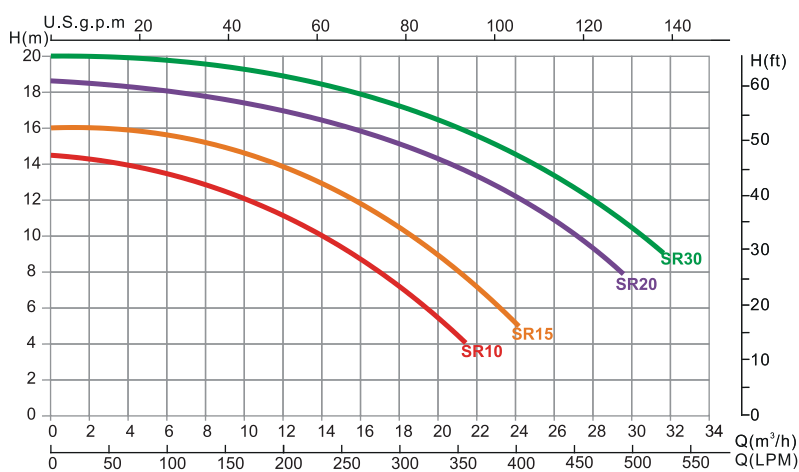
**Pool & Spa Equipment**

\* only SB Series Pump is C-Tick and SASO certified

# SR SERIES PUMP



## Technical Information:



## Product Information and Dimensions:

Model 50Hz	Input (kW)	Current (AMP)	Noise (dB)	Head (m)					
				6	8	10	12	14	16
SR10	0.97	4.7	67	19.6	17	14	10	4	--
SR15	1.30	5.9	67	23.2	21	18.8	14.8	11.6	2
SR20	1.80	8.2	69	31	29.2	27	24	20.5	16
SR30	2.18	10.5	69	34	32	30.5	28	25	21

Code 220V/50Hz	Code 380V/50Hz	Code 220V/60Hz	Model	Connection Size	Horsepower	Weight (kg)	Capacitance 220V
88023605	88023905	88023705	SR10	2" / 63mm	1.0hp	14.70	25µF
88023607	88023907	88023707	SR15	2" / 63mm	1.5hp	16.30	25µF
88023608	88023908	88023708	SR20	2" / 63mm	2.0hp	19.70	30µF
88023609	88023909	88023709	SR30	2" / 63mm	3.0hp	22.10	35µF

## **EMAUX WATER TECHNOLOGY CO., LTD**

ADDRESS: Flat A-D, 20/F., Kai Bo 22, 22 Wing Kin Road,

Kwai Chung, Hong Kong

PHONE +852 2832 9880

[www.emauxgroup.com](http://www.emauxgroup.com)

 **YOUR PREMIER SUPPLIER**

Available from: